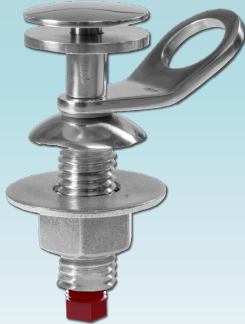




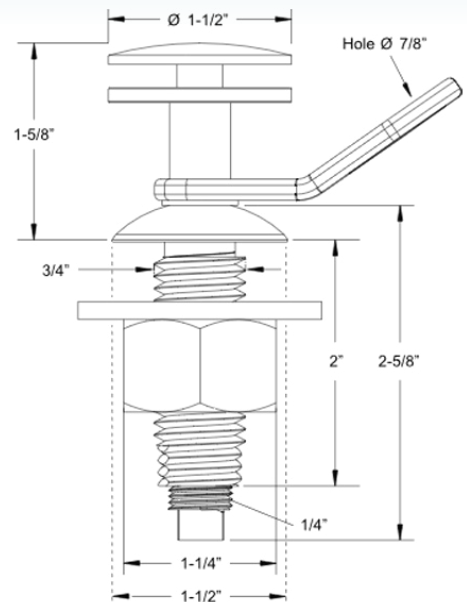
QUICK RELEASE FENDER LOCK



For dockside safety and convenience, our new Quick Release Fender Lock ensures secure, quickly stored fender lines, which are also maintained at the optimal length because of the attached mounting pin. At the dock, simply tie off a hanging fender with secure line through the 7/8" hole by the push button, insert the pin into the fitting and your boat is protected.

FEATURES & BENEFITS

- Manufactured from stainless steel Type-316L
- Overall height above deck is 1-19/32"
- Includes a 1/4" drain plug
- Designed for easy, single-hand operation
- Allows simple installation and removal of float-style fenders
- Installation using a 3/4" drill bit through the gunnel
- Features a large push-button for comfortable operation
- Large 7/8" hole diameter for rope
- 3-year limited warranty



Dimensions shown in inches

The “Fender Lock Receiver Only” allows boaters the ability to quickly and easily place fenders in multiple places where they prefer to hang them off the boat at the desired height position every time.



PART #	DESCRIPTION	EYE	UNIT	PACK	UPC
F16-0151-1	Quick Release Fender Lock	7/8" ID	Each	12	630838084080
F16-0151R-1	Quick Release Fender Lock (Receiver Only)	7/8" ID	Each	12	630838084882