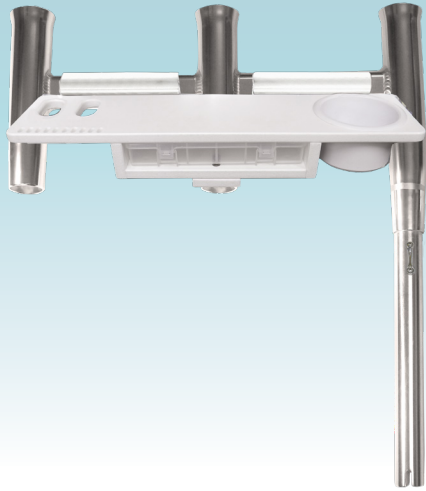




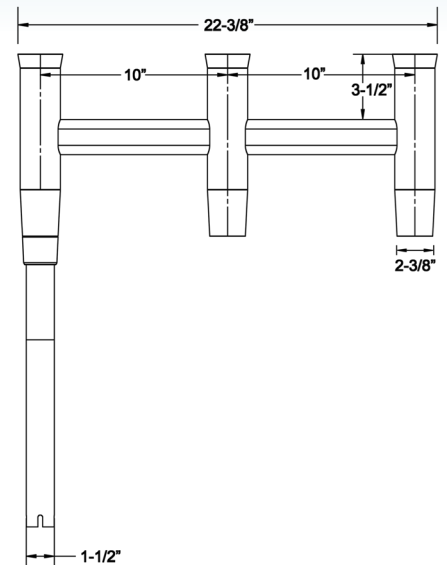
DELUXE TRIDENT ROD CLUSTER OFFSET



Be prepared to increase your catch, turn one rod holder into three and keep your kite lines close-at-hand. Our TACO Marine Deluxe Trident Rod Holder Offset with Tool Caddy makes controlling your kite lines easy, compact and organized.

FEATURES & BENEFITS

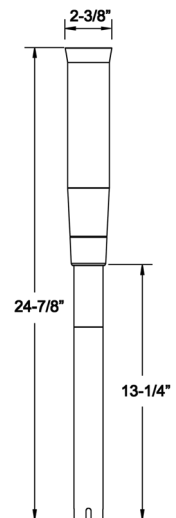
- Maximize kite rod placement and usage on boat
- Durable, welded, high-polished aluminum construction
- Three, 9-3/4" flared rod holders in a trident design
- 1-1/2" shaft fits into standard rod holders with a 1-5/8" diameter
- Detachable tool caddy equipped to hold rigging supplies
- Pre-drilled holes for knife, pliers, rigs, lures, spoons, etc.
- Equipped with a cup holder
- Eye strap attachment for safety lanyard and/or de-hooker placement
- Large 9-3/4" rod holders handle bigger and heavier rods and reels
- Stored in a mesh bag for protection and easy drying if stored wet



INCLUDES



Tool Caddy also available for purchase separately (one year warranty when purchased separately)



PART #	DESCRIPTION	WEIGHT	STD. PK.	UOM	UPC
F31-0781BXY-1	Deluxe Trident Rod Holder Offset w/ Tool Caddy	5.5 lbs.	2	EA	630838084851
P01-3000W	Deluxe Trident Tool Caddy	2 lbs.	4	EA	630838084998